



# FURUNO®

Compact, flexible configuration

## GMDSS RADIO CONSOLE A1-2-3 Radio Package RC-1800T

- Space-saving installation
- Compact VHF/DSC FM-8500 for conning position installation
- MF/HF radiotelephone can be operated from DSC-60 in the conning position
- All radios incorporated comply with relevant IMO/SOLAS regulations, ETSI and IEC standards
- Simple and reliable distress operation with protection from false alert
- Minimal installation time on existing vessels and new building by pre-wiring in the console



This radio package contains all the necessary radio equipment for ships operating in the GMDSS sea areas A1-2-3. The availability of radiocommunications is assured by product redundancy. The package provides an easy-to-operate configuration, with minimal installation time for retrofitting an existing ship or new builds. Each unit is pre-wired in the rack to help reduce install time. All equipment in the package is type approved to the latest IMO and IEC or ETS standards.

DSC messages are displayed on the 160-character LCD screen. The MF/HF Radiotelephone has a selectable output power of 150, 250, 400 and 800 Watts. The VHF radiotelephone FM-8500 contains a digital selective calling facility and fits nicely in the conning position. It works on all simplex and semiduplex channels as defined by the ITU and local Administrations for normal traffic and watch keeping. The VHF communicators can be linked with a Voyage Data Recorder.



The future today with FURUNO's electronics technology.

**FURUNO ELECTRIC CO., LTD.**

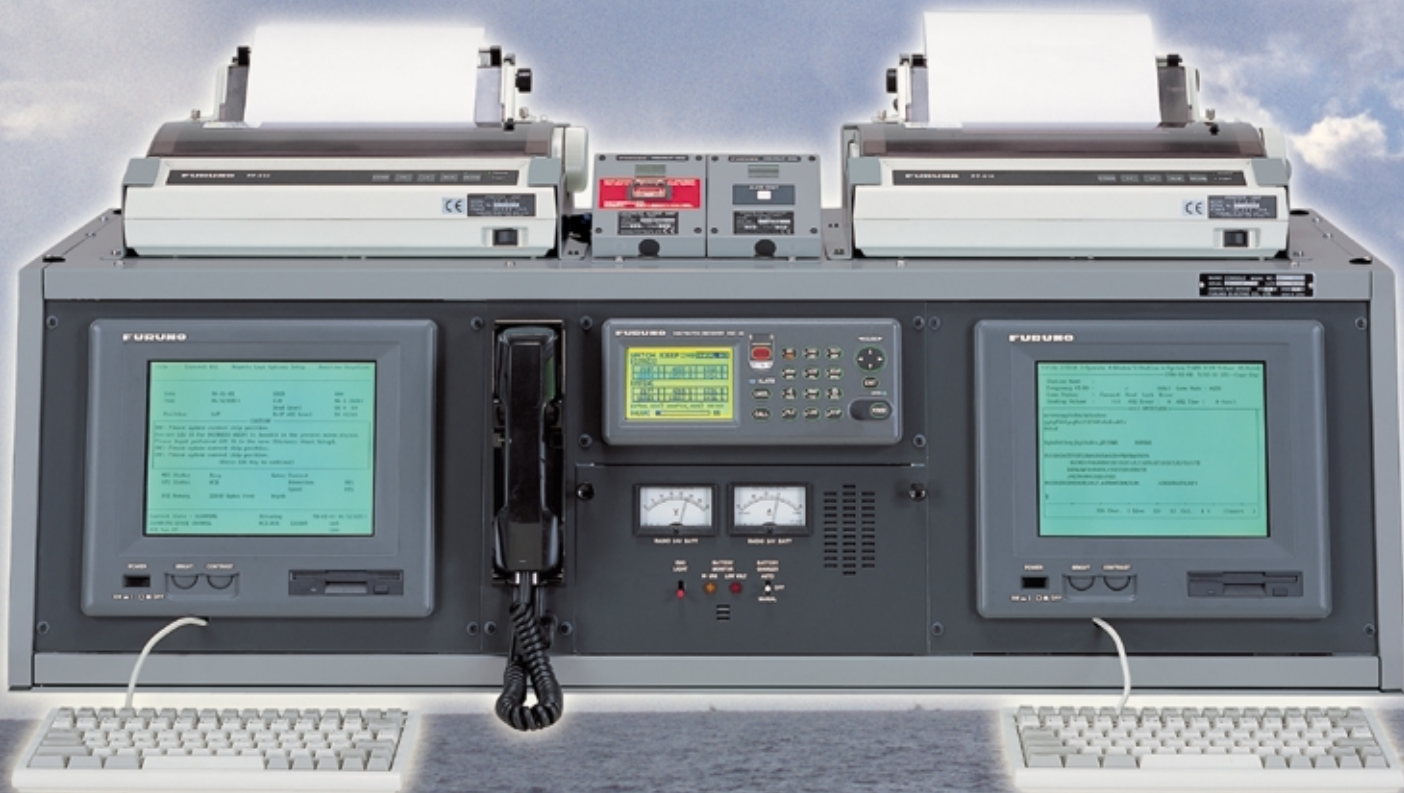
9-52 Ashihara-cho, Nishinomiya City, Japan Phone: +81 (0)798 65-2111  
Fax: +81 (0)798 65-4200, 66-4622 URL: [www.furuno.co.jp](http://www.furuno.co.jp)

Catalogue No. W-3246

TRADE MARK REGISTERED  
MARCA REGISTRADA



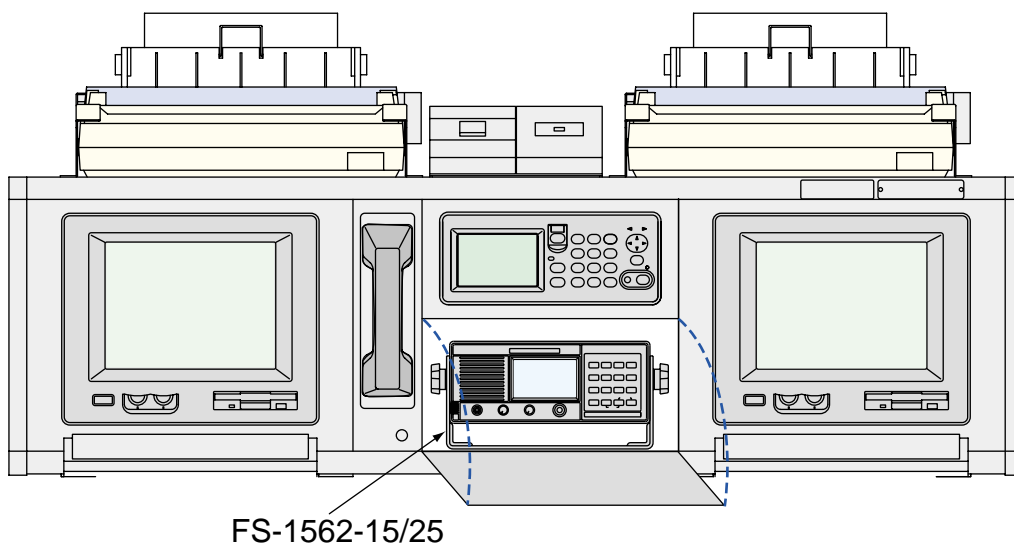
# Quality radio communication For GMDSS service



- **MF/HF Radiotelephone**  
FS-1562-15 (150 W) or  
FS-1562-25 (250 W),  
FS-5000 (400 W) or FS-8000 (800 W) is  
also available.

- **MF/HF DSC/Watch Receiver DSC-60**
- **Inmarsat-C MES FELCOM 12**
- **NBDP Radiotelex DP-6**

The FS-1562 can be included inside the console or external installation is also available. FS-5000 or FS-8000 should be installed separately.





# ns in a single integrated unit. ea areas A1-2-3

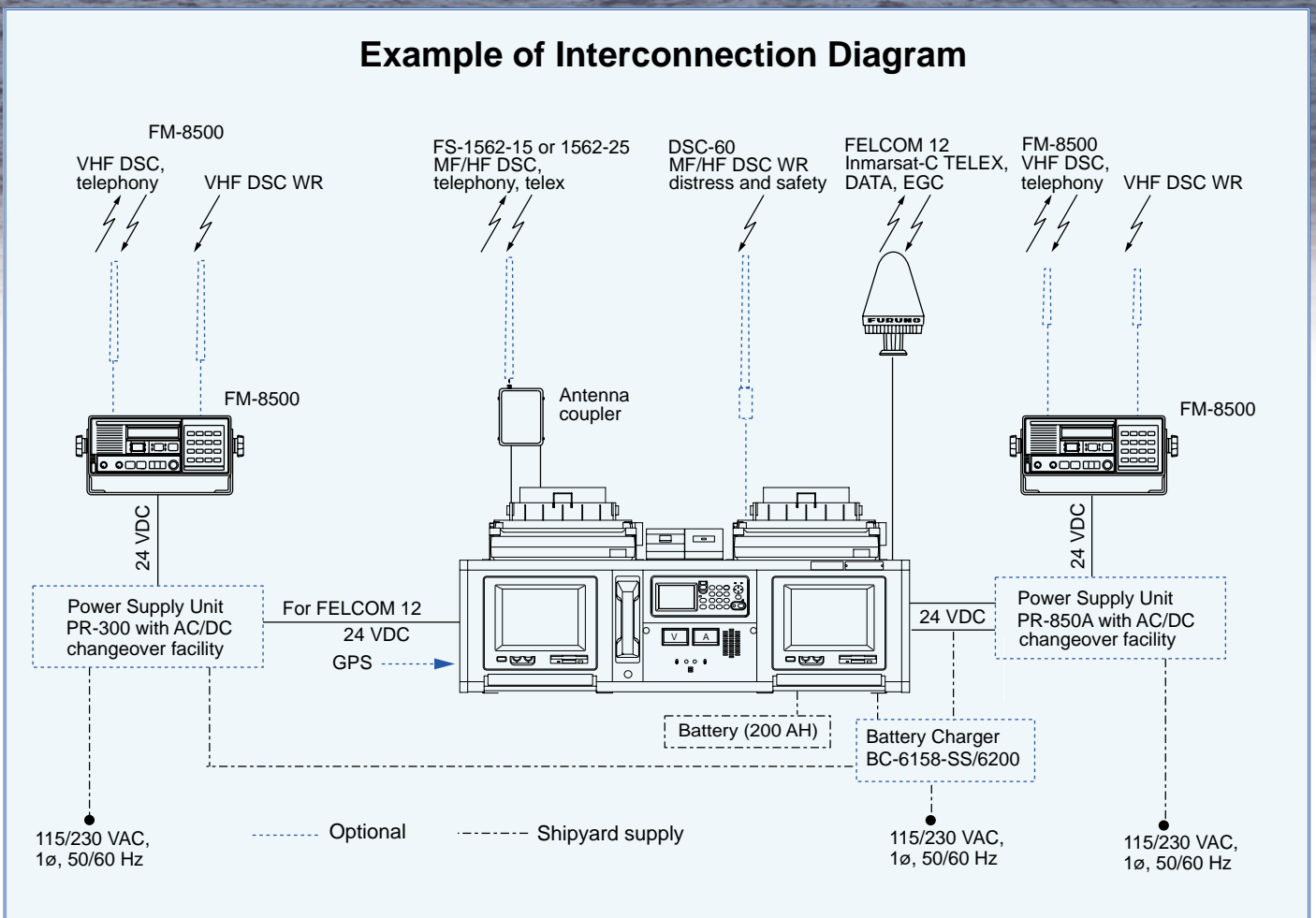


## VHF Radiotelephone FM-8500

The FURUNO FM-8500 is a cost-effective all-in-one marine VHF radio system consisting of a simplex /semiduplex 25 W VHF Radiotelephone, a DSC Modem and a CH 70 Watch Receiver. It complies with GMDSS carriage requirements for safety and general communications.

For those needing full-duplex VHF Radiotelephone, FM-8700 can be also selected.

## Example of Interconnection Diagram



## EQUIPMENT LIST OF RC-1800T

### 1. Radio Console RC-1800T includes:

- Inmarsat-C MES **FELCOM 12** 1 set
- MF/HF Radiotelephone **FS-1562-15** (150 W), **FS-1562-25** (250 W) 1 set  
**FS-5000** (400 W) or **FS-8000** (800 W)
- NBDP Terminal **DP-6** 1 set
- MF/HF DSC/Watch Receiver **DSC-60** 1 set
- Printer **PP-510** 2 sets

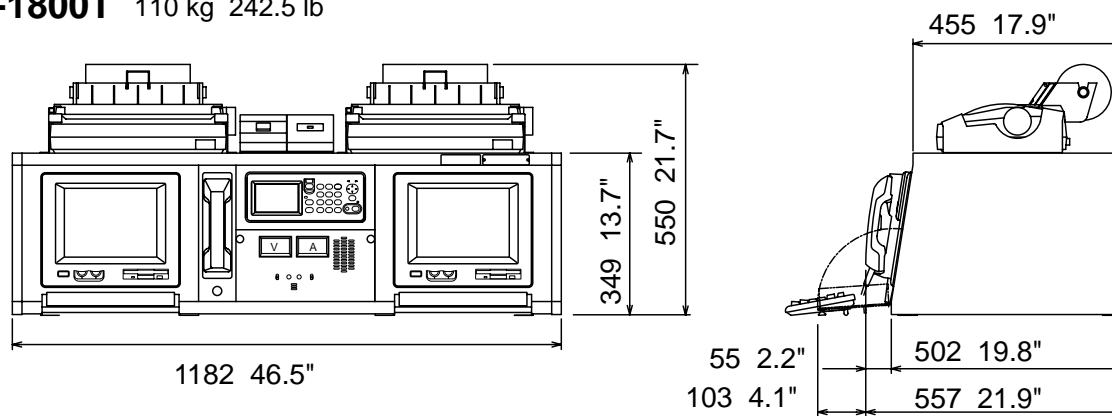
### 2. VHF Radiotelephone with VHF DSC/Watch Receiver

- **FM-8500** (simplex) or **FM-8700** (full-duplex) 2 sets

### 3. Power Supply

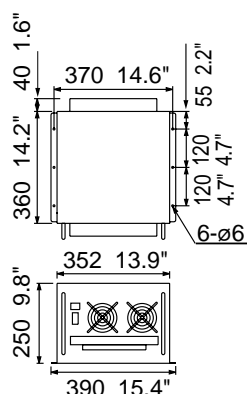
- Power Supply Units with AC-DC changeover facility  
**PR-300** (20 A) and **PR-850A** (60 A)  
*Number of power supply units depends on the total power consumption.*
- Battery Charger **BC-6158-SS/6200** Output: 24 VDC, 30 AH  
Ship's supply 115/230 VAC, 1 $\phi$ , 50/60 Hz, 2.2 kVA max

### RC-1800T 110 kg 242.5 lb



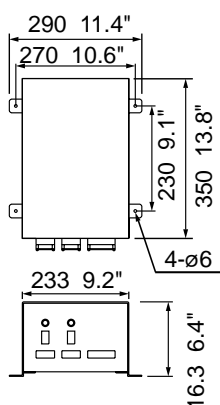
### PR-850A

35 kg 77.2 lb



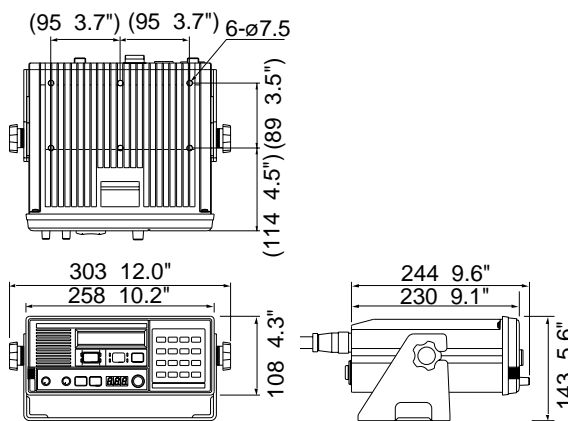
### PR-300

14.5 kg 32.0 lb



### FM-8500

5 kg 11.0 lb



SPECIFICATIONS SUBJECT TO CHANGE WITHOUT NOTICE

01095N Printed in Japan

**FURUNO U.S.A., INC.**  
Camas, Washington, U.S.A.  
Phone: +1 360-834-9300 Telefax: +1 360-834-9400

**FURUNO (UK) LIMITED**  
Denmead, Hampshire, U.K.  
Phone: +44 2392-230303 Telefax: +44 2392-230101

**FURUNO FRANCE S.A.**  
Bordeaux-Mérignac, France  
Phone: +33 5 56 13 48 00 Telefax: +33 5 56 13 48 01

**FURUNO ESPANA S.A.**  
Madrid, Spain  
Phone: +34 91-725-90-88 Telefax: +34 91-725-98-97

**FURUNO DANMARK AS**  
Hvidovre, Denmark  
Phone: +45 36 77 45 00 Telefax: +45 36 77 45 01

**FURUNO NORGE A/S**  
Ålesund, Norway  
Phone: +47 70 102950 Telefax: +47 70 127021

**FURUNO SVERIGE AB**  
Västra Frölunda, Sweden  
Phone: +46 31-7098940 Telefax: +46 31-497093

**FURUNO SUOMI OY**  
Helsinki, Finland  
Phone: +358 9 341 7570 Telefax: +358 9 3417 5716

